

AP 178 E



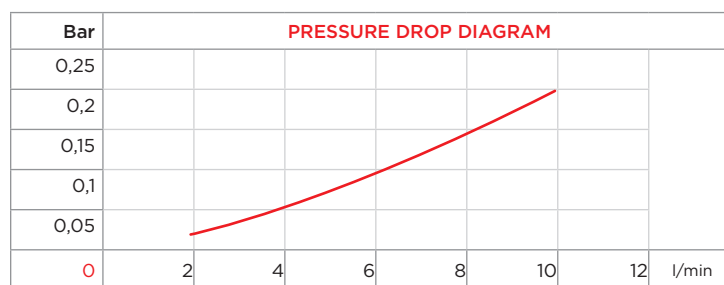
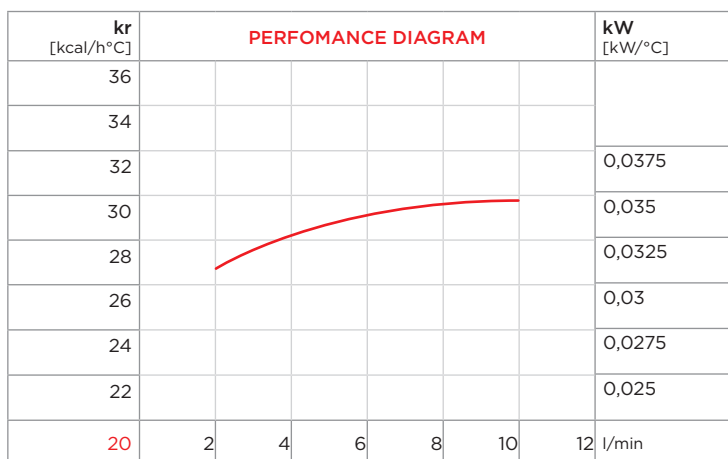
PURCHASE CODES

AP 178 E single-phase

3RAP178

SPARE PARTS

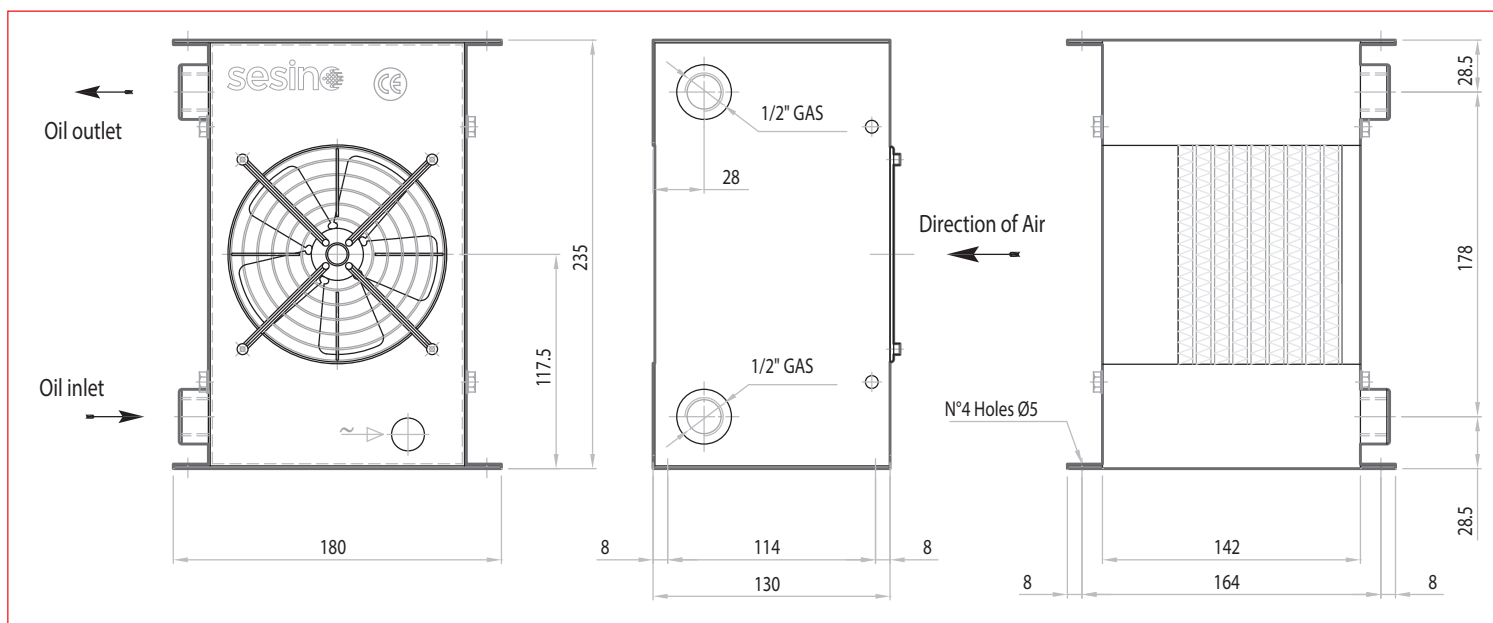
Cooling element	1RO92302
Fan grill	1GPR178
Frame	3CN178.1
Housing	3TL178.1
Electric Fan for 3RAP178	1VNAP178230



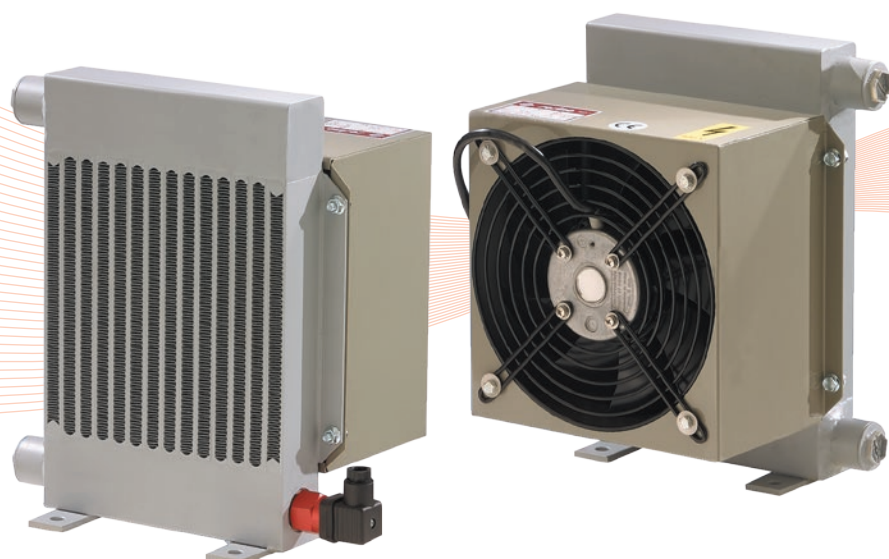
CORRECTION FACTOR

cSt	22	30	46	68	100	150	220
f	0,6	1	1,5	2,3	3,5	5	7

- Dimensions and technical characteristics are not binding



OIL FLOW	CAPACITY	VOLTAGE	FREQUENCY	POWER	CURRENT	AIR FLOW	PROTECTION	NOISE LEVEL	WEIGHT	Ø FAN
l/min	l	V	hz	W	A	m³/h	IP	dB(A)	kg	mm
1-10	0,5	230	50/60	19/18	1,2/1,1	125	54	55	4	125

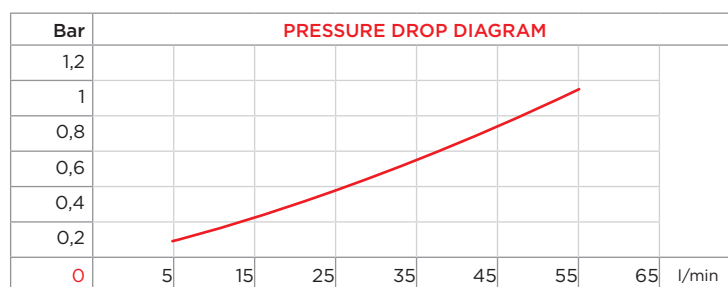
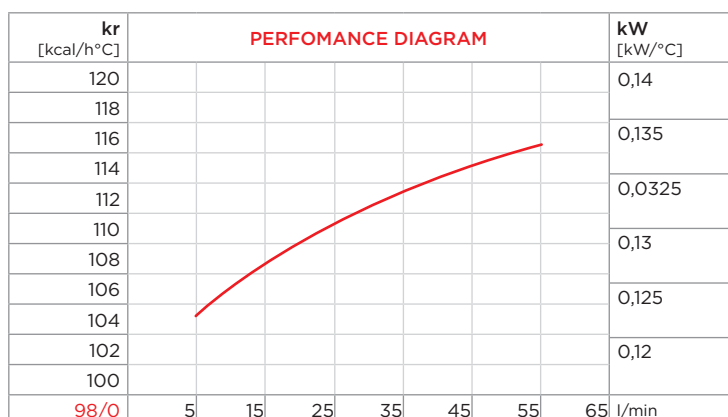


PURCHASE CODES

AP 260 E single-phase	3RAP260T1
AP 260 E three-phase	3RAP26038T1

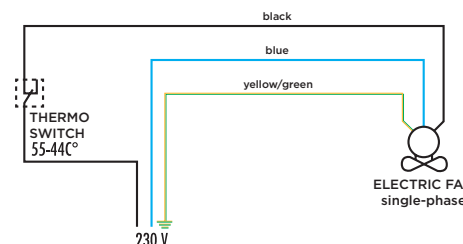
SPARE PARTS

Cooling element	3RNAP260
Thermo-switch 55-42 IP54	1TRM55-42
Frame	3CNAP260CA.1
Electric Fan for 3RAP260T1	1VNA2E200.1
Electric Fan for 3RAP26038T1	1VNA2D200

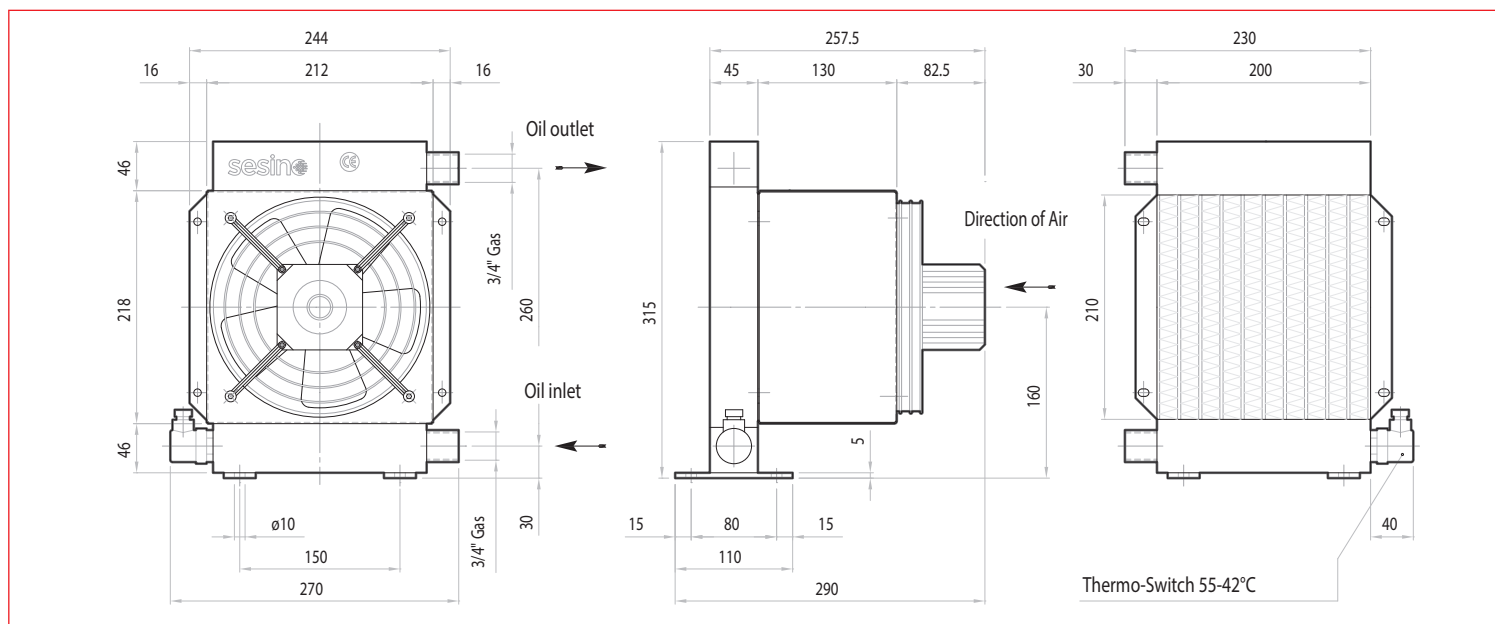


CORRECTION FACTOR

cSt	22	30	46	68	100	150	220
f	0,6	1	1,5	2,3	3,5	5	7



- Dimensions and technical characteristics are not binding



OIL FLOW	CAPACITY	VOLTAGE	FREQUENCY	POWER	CURRENT	AIR FLOW	PROTECTION	NOISE LEVEL	WEIGHT	Ø FAN
l/min	l	V	hz	W	A	m³/h	IP	dB(A)	kg	mm
50-60	1,2	230/240	50/60	18/62	0,27	630	54	55	6	200
50-60	1,2	400	50/60	68/70	0,17/0,13	630	54	55	6	200

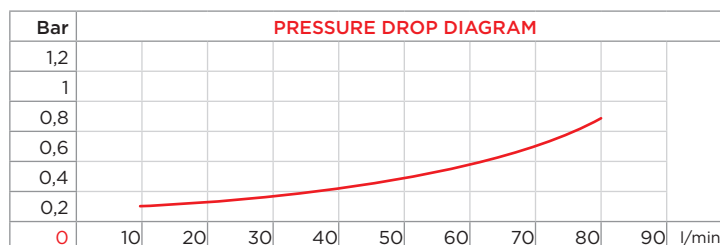
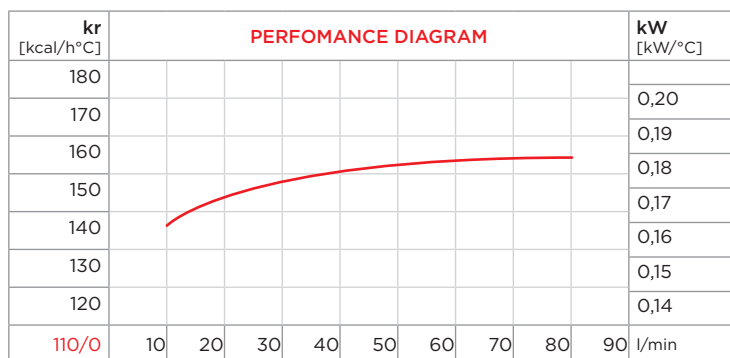
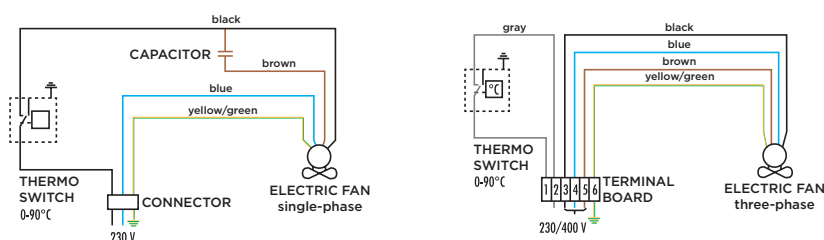


PURCHASE CODES

AP 300 E single-phase	3RAP300
AP 300 E three-phase	3RAP30038

SPARE PARTS

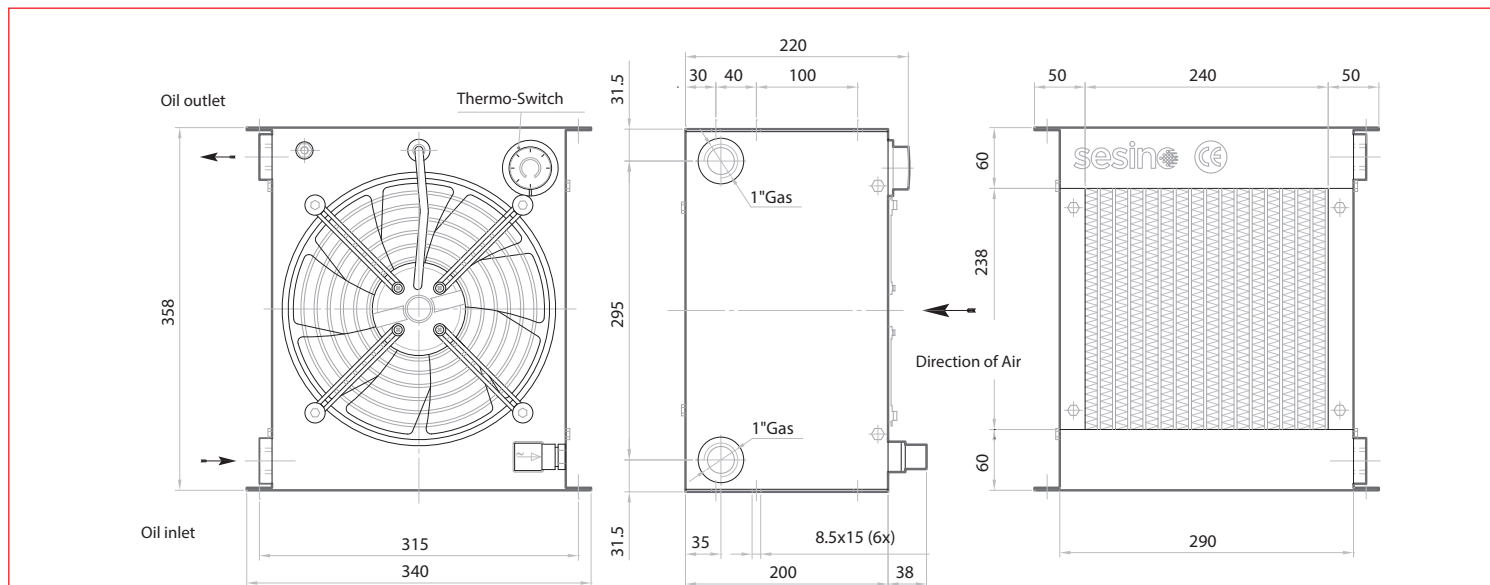
Cooling element	3RNAP300
Frame	3CNAP300
Housing	1300TLV
Adjustable thermo-switch	1TRMO-90
Electric fan for 3RAP300	1VNA2E250G
Electric fan for 3RAP30038	1VNA2D250.2
Electric junction box for 3RAP30038	1CSSDSAREL



CORRECTION FACTOR

cSt	22	30	46	68	100	150	220
f	0,6	1	1,5	2,3	3,5	5	7

- Dimensions and technical characteristics are not binding



OIL FLOW	CAPACITY	VOLTAGE	FREQUENCY	POWER	CURRENT	AIR FLOW	PROTECTION	NOISE LEVEL	WEIGHT	Ø FAN
l/min	l	V	hz	W	A	m³/h	IP	dB(A)	kg	mm
10-80	2	230	50/60	115/150	0,51/0,66	910	54	74	12	250
10-80	2	400	50/60	0,20/0,23	100/140	950	54	73	12	250

AP 430 E

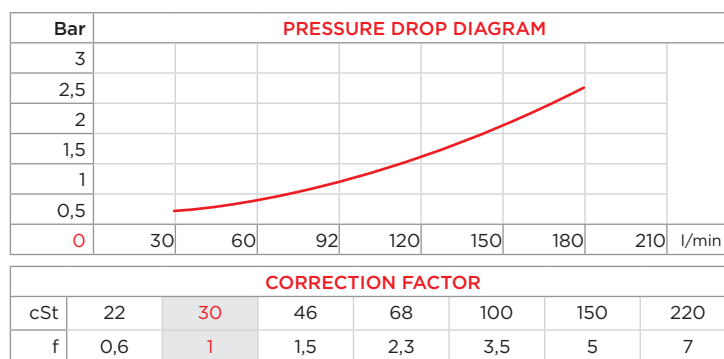
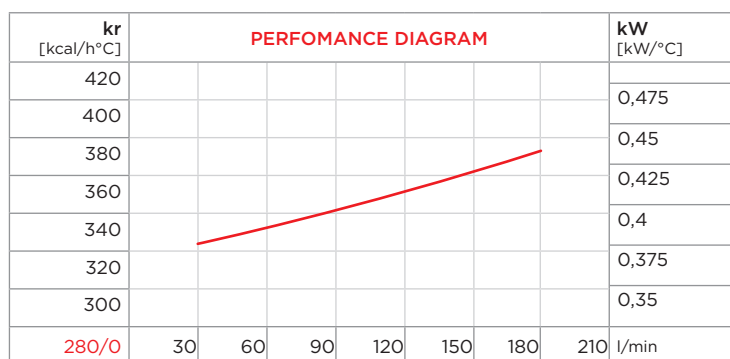
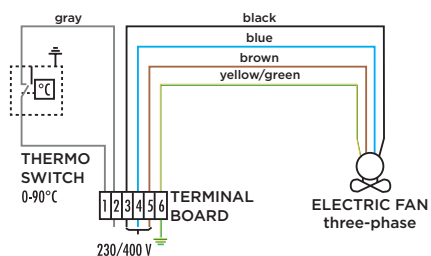


PURCHASE CODES

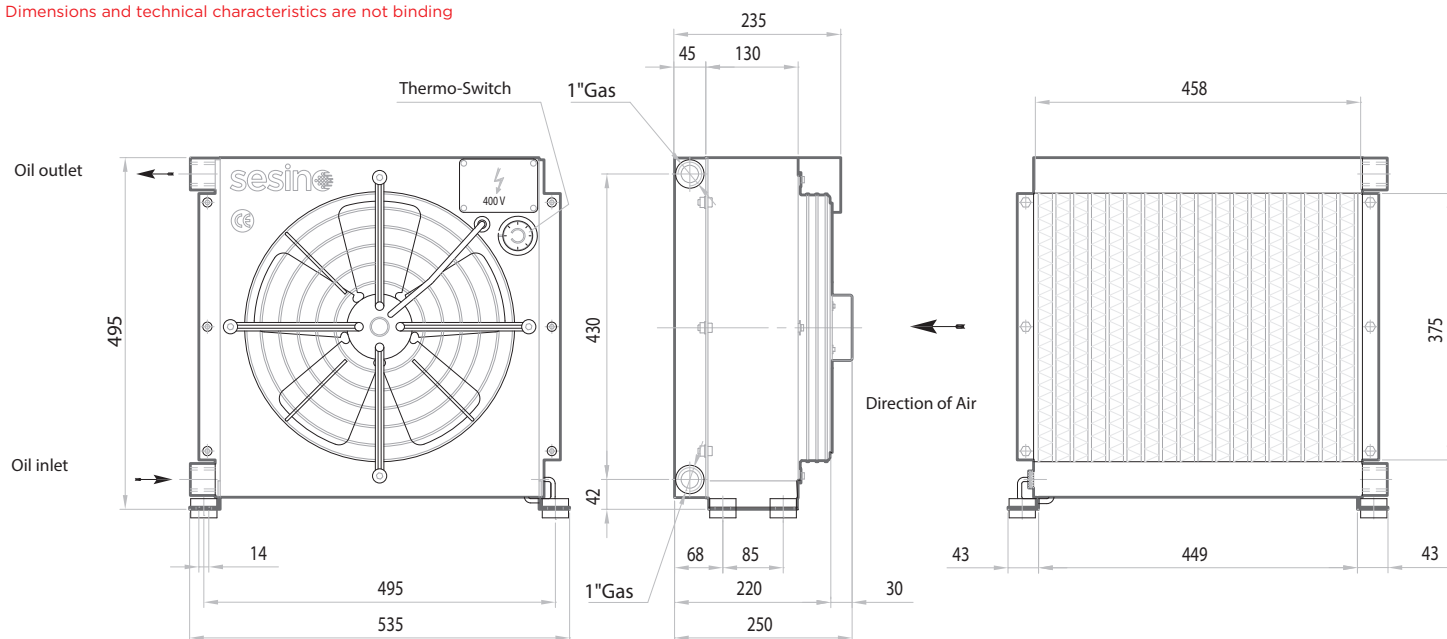
AP 430 E three-phase 3RAP430

SPARE PARTS

Cooling element	3RNAP430E
Frame	1430CNV
Adjustable thermo-switch	1TRM0-90
Shock isolating mounting (4 pcs)	3KIT4511
Electric Fan for 3RAP430	1VNELCO43038DV
Electric junction box for 3RAP430	1CSSDSAREL



- Dimensions and technical characteristics are not binding



OIL FLOW	CAPACITY	VOLTAGE	FREQUENCY	POWER	CURRENT	AIR FLOW	PROTECTION	NOISE LEVEL	WEIGHT	Ø FAN
l/min	l	V	hz	W	A	m³/h	IP	dB(A)	kg	mm
30-180	3,6	Δ 230 Y 400	50	110/205	0,67/0,39	2.750	55	73	18	350
30-180	3,6	Δ 265 Y 460	60	110/200	0,57/0,33	2.750	55	73	18	350

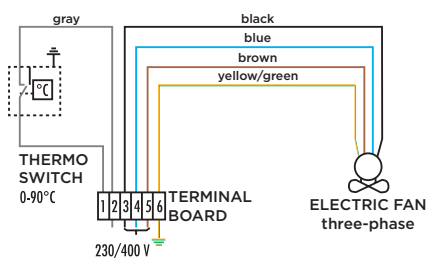
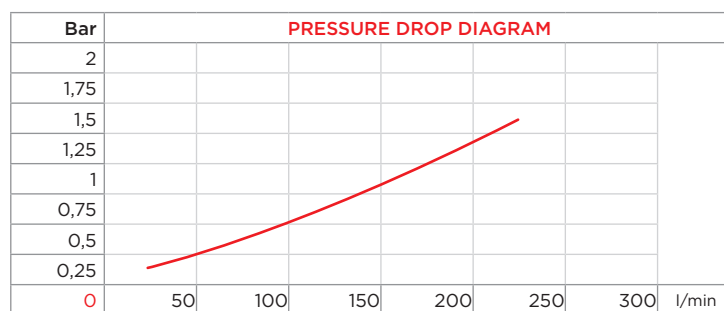
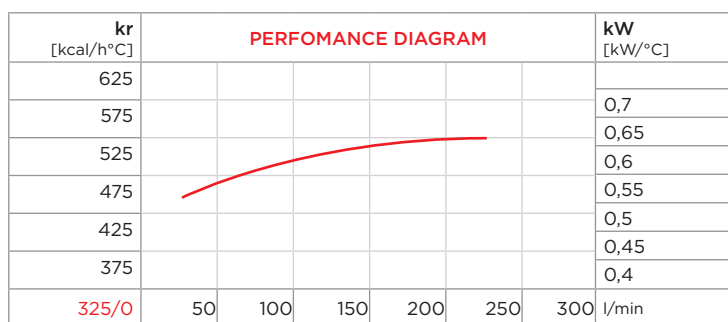


PURCHASE CODES

AP 494 EB three-phase **3RAP494EB**

SPARE PARTS

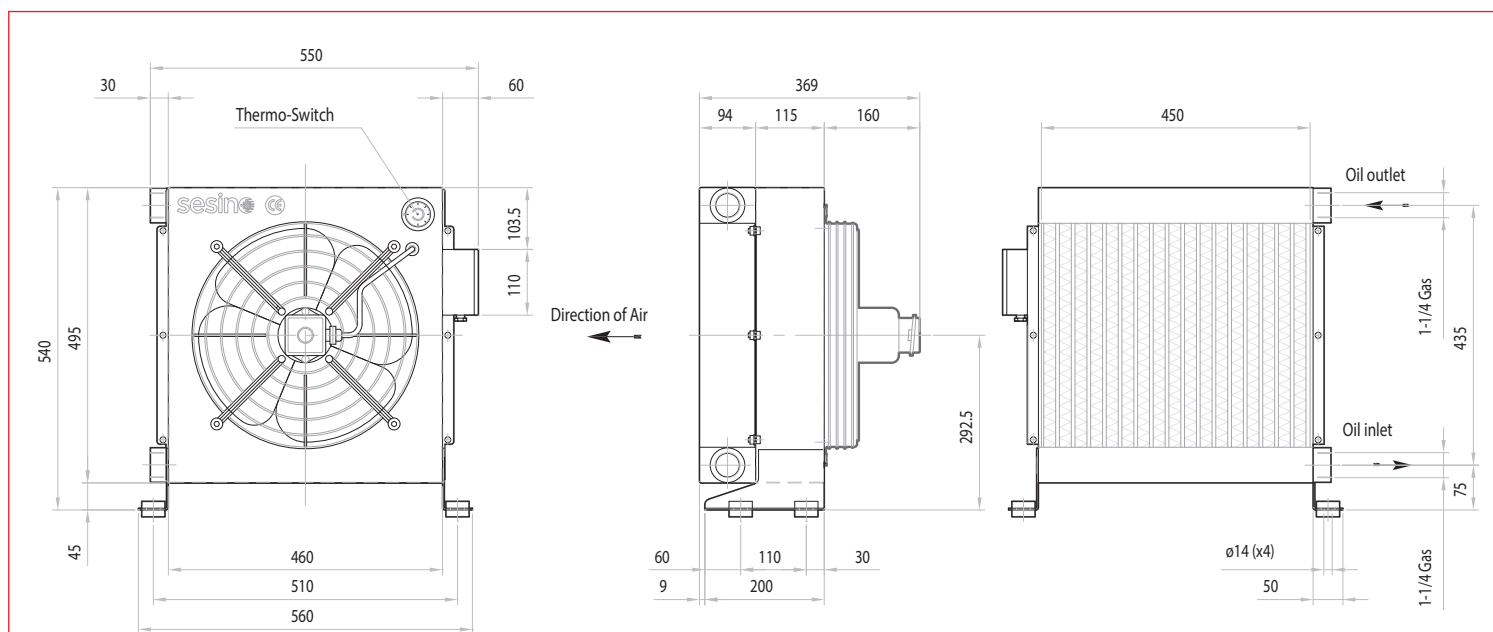
Adjustable thermo-switch	1TRM0-90
Shock isolating mounting (4 pcs)	3KIT4135
Electric junction box	1CSSDSAREL
Frame	3CNAP494EB.1
Cooling element	1RO99332
Electric fan	1VNELCO43238DV1



CORRECTION FACTOR

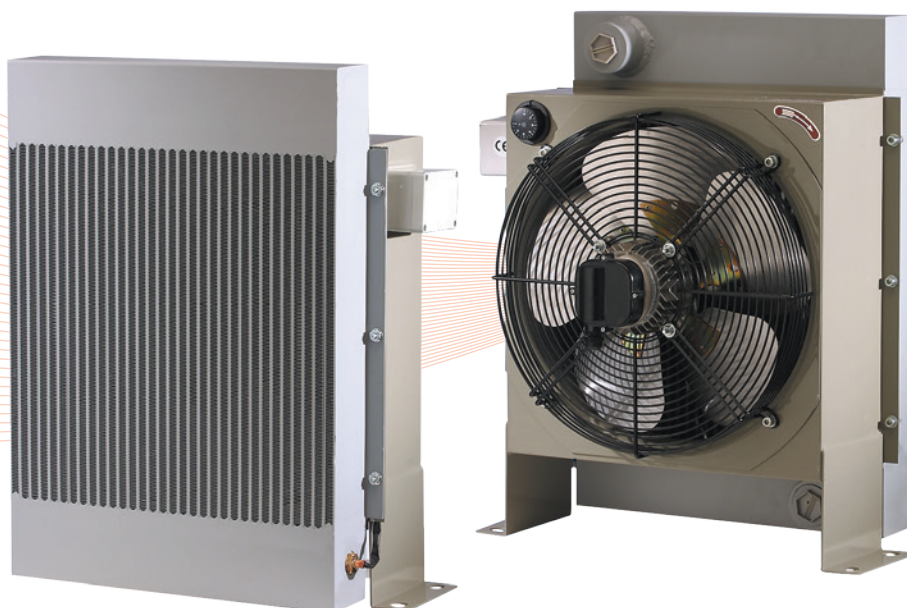
cSt	22	30	46	68	100	150	220
f	0,6	1	1,5	2,3	3,5	5	7

- Dimensions and technical characteristics are not binding



OIL FLOW	CAPACITY	VOLTAGE	FREQUENCY	POWER	CURRENT	AIR FLOW	PROTECTION	NOISE LEVEL	WEIGHT	ø FAN
l/min	l	V	hz	W	A	m³/h	IP	dB(A)	kg	mm
30-240	8	Δ 230 Y 400	50	110/180	0,57/0,33	2.750	55	72	28	400
30-240	8	Δ 265 Y 460	60	145/260	0,68/0,39	3.300	55	73	28	400

AP 580 EB



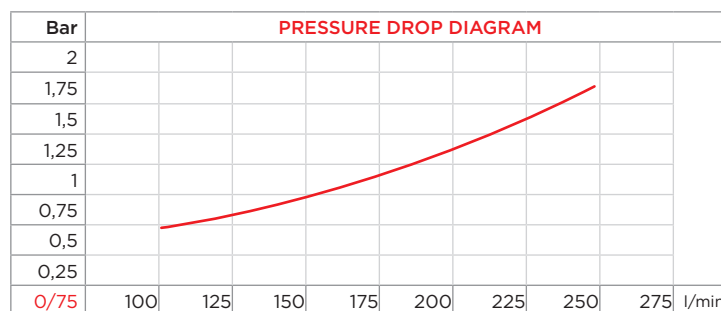
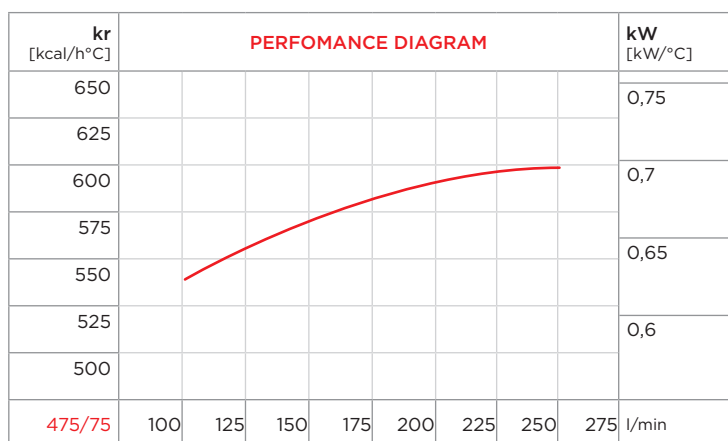
PURCHASE CODES

AP 580 EB three-phase

3RAP580EB

SPARE PARTS

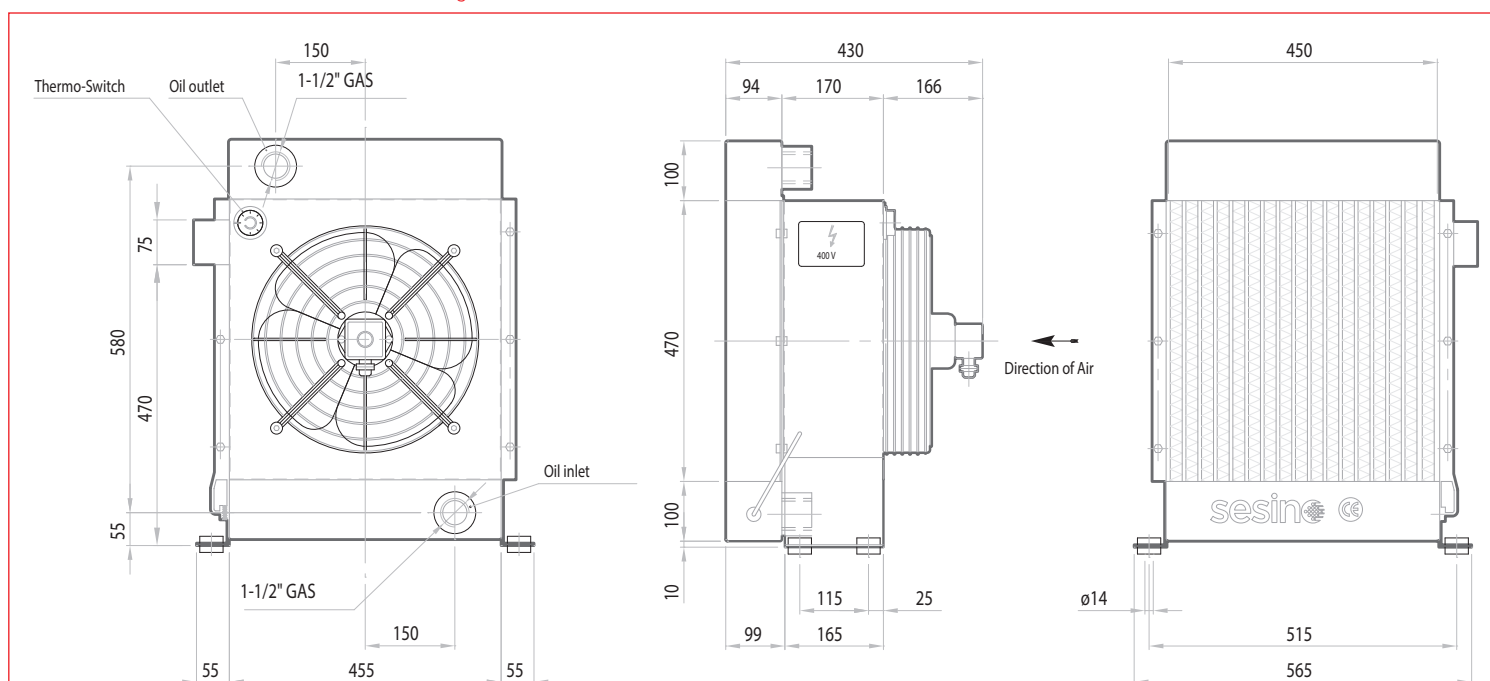
Adjustable thermo-switch	1TRM0-90
Shock isolating mounting (4 pcs)	3KIT4135
Electric junction box	1CSDSAREL
Cooling element	3RNAP580E
Electric fan	1VNELCO43238DV1
Frame	3CNAP580EB.1



CORRECTION FACTOR

cSt	22	30	46	68	100	150	220
f	0,6	1	1,5	2,3	3,5	5	7

- Dimensions and technical characteristics are not binding



OIL FLOW	CAPACITY	VOLTAGE	FREQUENCY	POWER	CURRENT	AIR FLOW	PROTECTION	NOISE LEVEL	WEIGHT	Ø FAN
l/min	l	V	hz	W	A	m³/h	IP	dB(A)	kg	mm
100-250	11,5	Δ 230 Y 400	50	110/180	0,57/0,33	3.500	55	72	40	400
100-250	11,5	Δ 265 Y 460	60	145/260	0,68/0,39	4.800	55	72	40	400

AP 680 EB

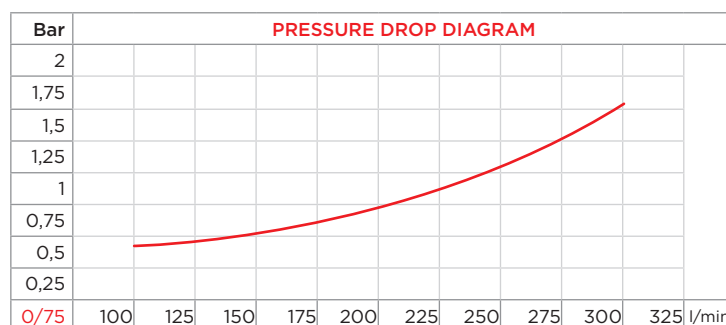
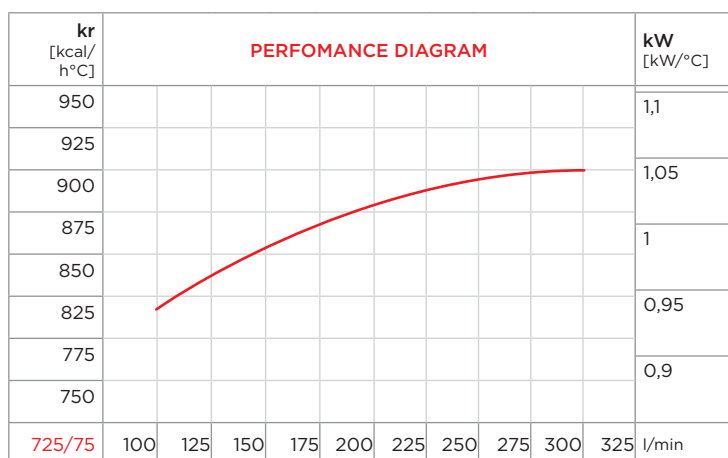


PURCHASE CODES

AP 680 EB three-phase **3RAP680EB**

SPARE PARTS

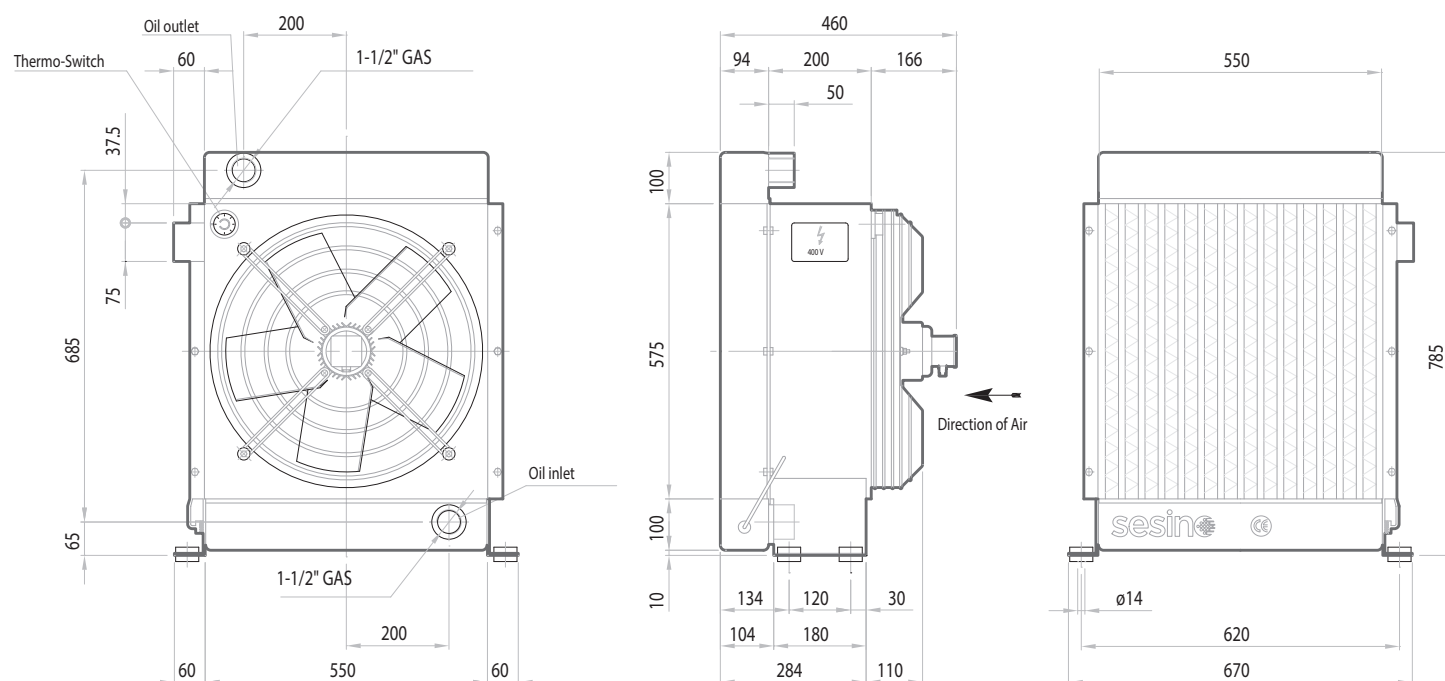
Adjustable thermo-switch	1TRM0-90
Shock isolating mounting (4 pcs)	3KIT4135
Electric junction box	1CSSDSAREL
Cooling element	3RNAP680E
Electric fan	1VNA4D500DV
Frame	3CNAP680EB.1



CORRECTION FACTOR

cSt	22	30	46	68	100	150	220
f	0,6	1	1,5	2,3	3,5	5	7

Dimensions and technical characteristics are not binding



OIL FLOW	CAPACITY	VOLTAGE	FREQUENCY	POWER	CURRENT	AIR FLOW	PROTECTION	NOISE LEVEL	WEIGHT	Ø FAN
l/min	l	V	hz	W	A	m³/h	IP	dB(A)	kg	mm
100-300	15	230/400	50	690	2,34	6.300	54	72	62	500
100-300	15	277/480	60	1050	2,72	8.800	54	75	62	500



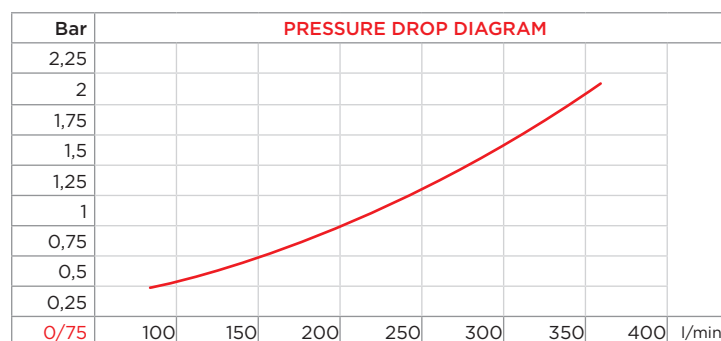
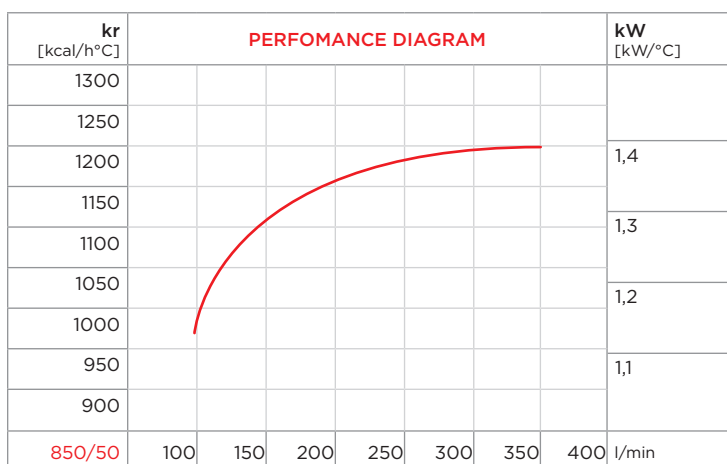
PURCHASE CODES

AP 730 EB three-phase

3RAP730EB

SPARE PARTS

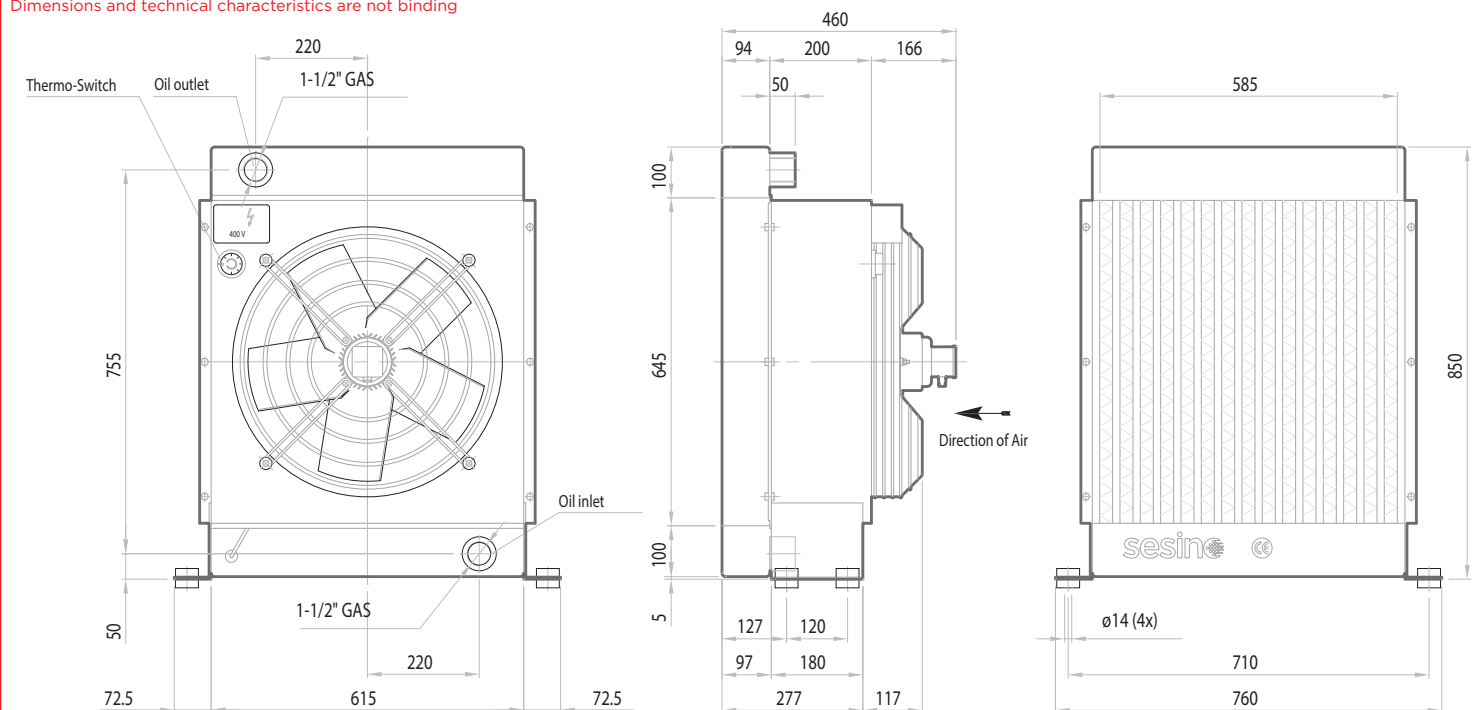
Adjustable thermo-switch	1TRM0-90
Shock isolating mounting (4 pcs)	3KIT4232
Electric junction box	1CSDDSAREL
Cooling element	3RNAP730E
Electric fan	1VNA4D500DV
Frame	3CNAP730EB.1



CORRECTION FACTOR

cSt	22	30	46	68	100	150	220
f	0,6	1	1,5	2,3	3,5	5	7

Dimensions and technical characteristics are not binding



OIL FLOW	CAPACITY	VOLTAGE	FREQUENCY	POWER	CURRENT	AIR FLOW	PROTECTION	NOISE LEVEL	WEIGHT	Ø FAN
l/min	l	V	hz	W	A	m³/h	IP	dB(A)	kg	mm
100-300	15	230/400	50	690	2,34	6.300	54	72	62	500
100-300	15	277/480	60	1050	2,72	8.800	54	75	62	500

AP 830 EB

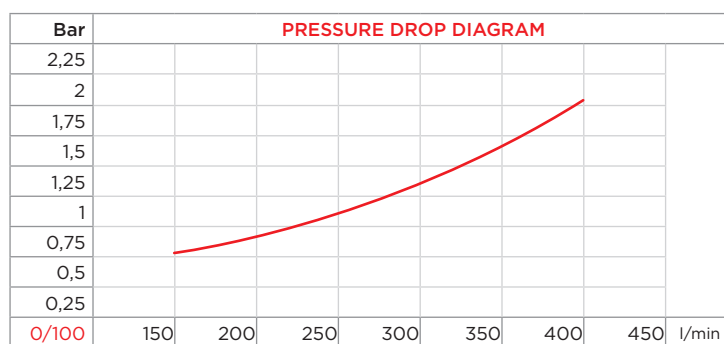
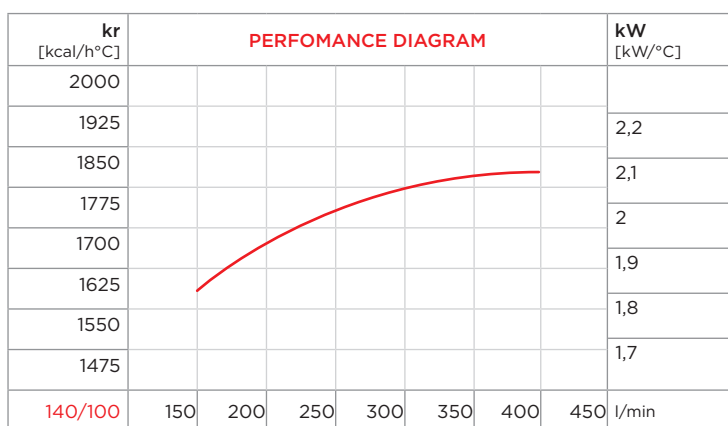


PURCHASE CODES

AP 830 EB three-phase **3RAP830EB**

SPARE PARTS

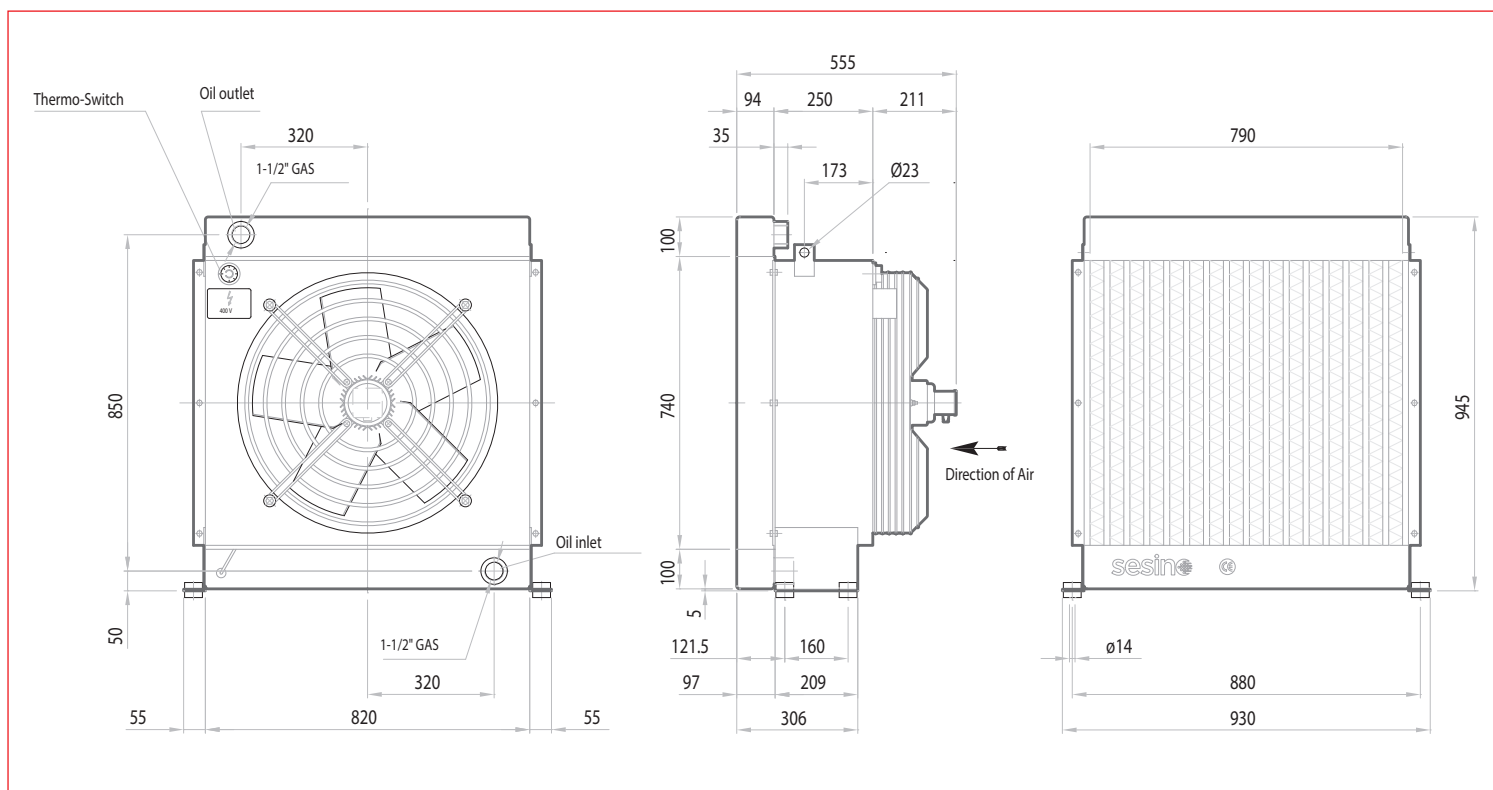
Adjustable thermo-switch	1TRM0-90
Shock isolating mounting (4 pcs)	3KIT4232
Electric junction box	1CSSDSAREL
Cooling element	3RNAP830E
Electric fan	1VNA4D560DV
Frame	3CNAP830EB.1



CORRECTION FACTOR

cSt	22	30	46	68	100	150	220
f	0,6	1	1,5	2,3	3,5	5	7

- Dimensions and technical characteristics are not binding



OIL FLOW	CAPACITY	VOLTAGE	FREQUENCY	POWER	CURRENT	AIR FLOW	PROTECTION	NOISE LEVEL	WEIGHT	Ø FAN
l/min	l	V	hz	W	A	m³/h	IP	dB(A)	kg	mm
150-400	20	400	50	810	1,54	9.500	54	73	83	560
150-400	20	480	60	1300	1,94	11.500	54	75	83	560

AP 1200 EB

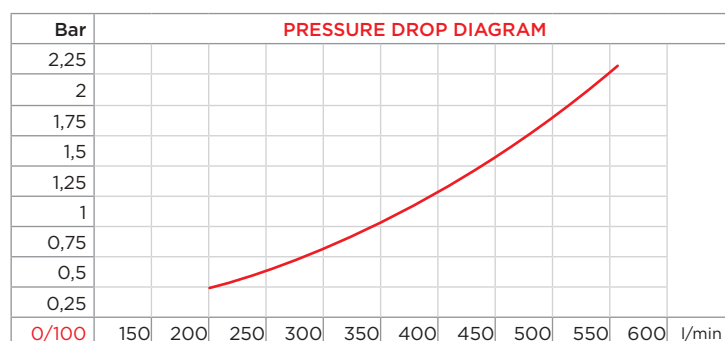
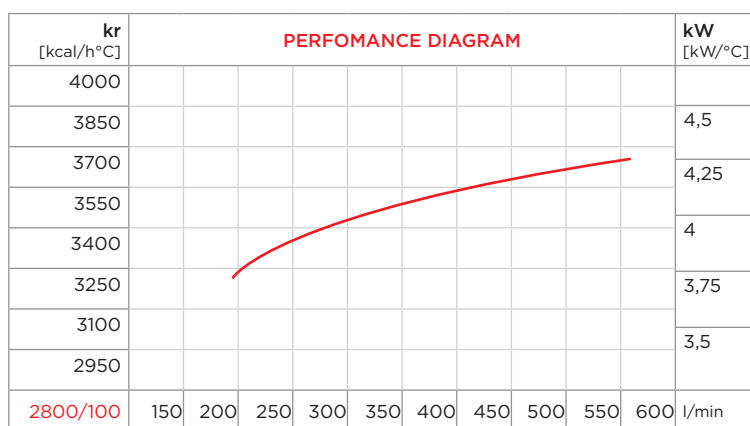


PURCHASE CODES

AP 1200 EB three-phase **3RAP1200EB**

SPARE PARTS

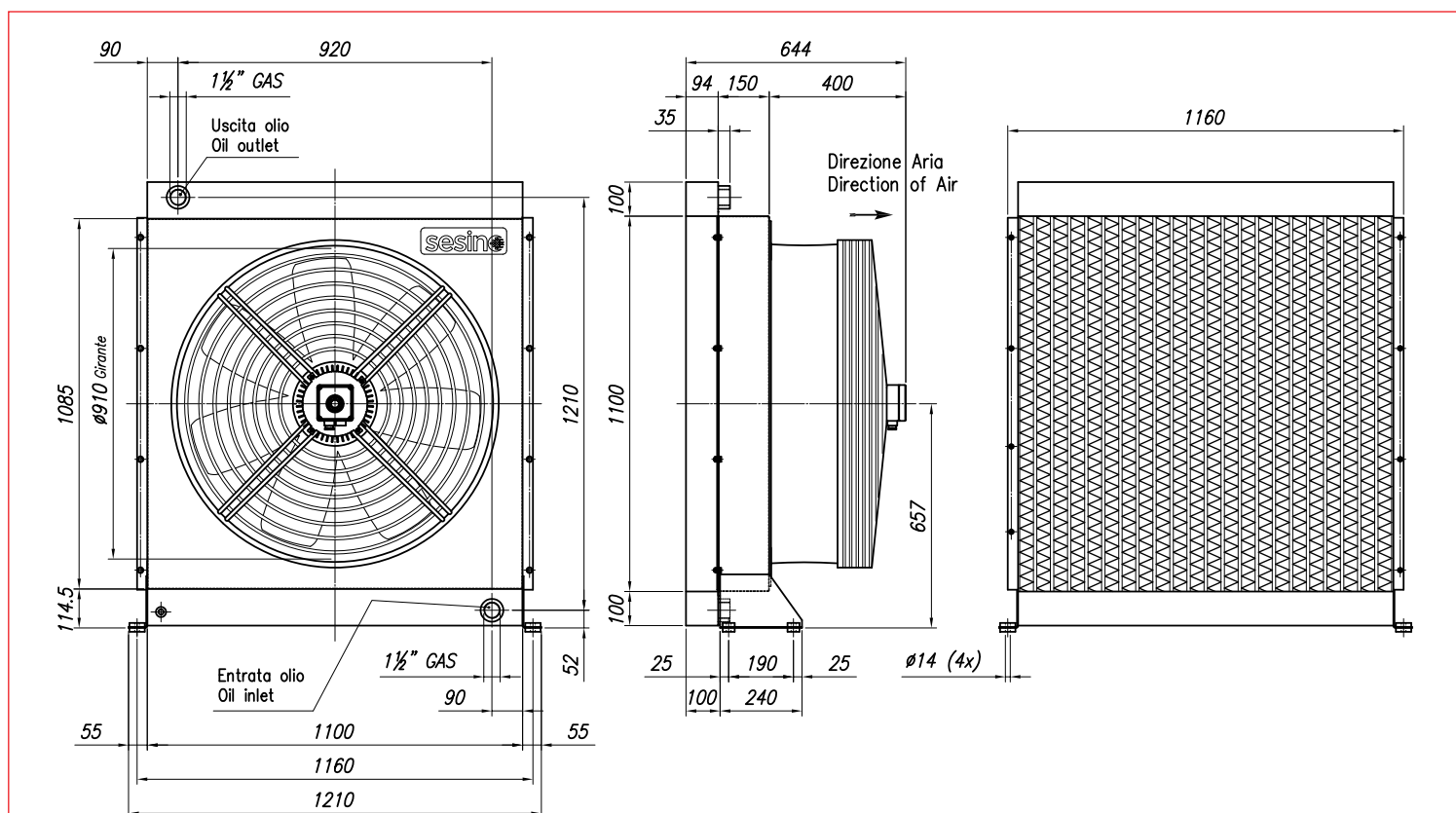
Frame	3CNEO08586.1
Shock isolating mounting (4 pcs)	3KIT4232
Cooling element	1RO08423
Electric fan	1VNEO08586



CORRECTION FACTOR

cSt	22	30	46	68	100	150	220
f	0,6	1	1,5	2,3	3,5	5	7

- Dimensions and technical characteristics are not binding



OIL FLOW	CAPACITY	VOLTAGE	FREQUENCY	POWER	CURRENT	AIR FLOW	PROTECTION	NOISE LEVEL	WEIGHT	ø FAN
l/min	l	V	hz	W	A	m³/h	IP	dB(A)	kg	mm
200-550	35	400	50	1650	4,1	14.000	54	70	135	910

AP 2/680 EB

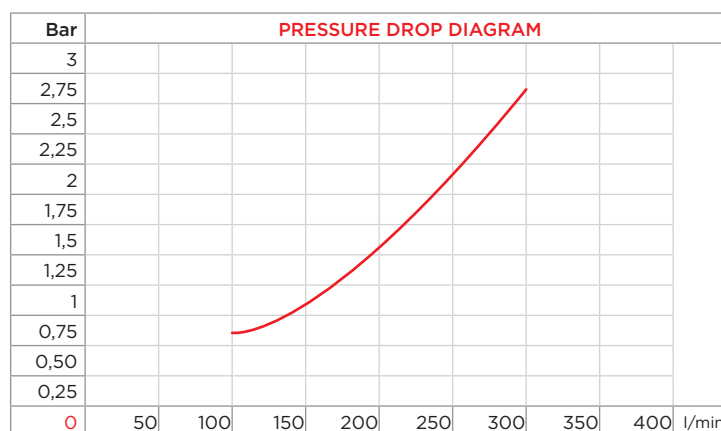
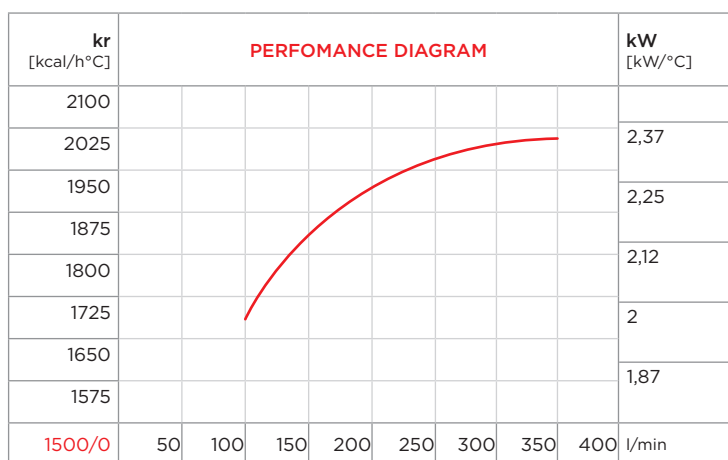


PURCHASE CODES

AP 2/680 EB three-phase **3RAP2/680EB**

SPARE PARTS

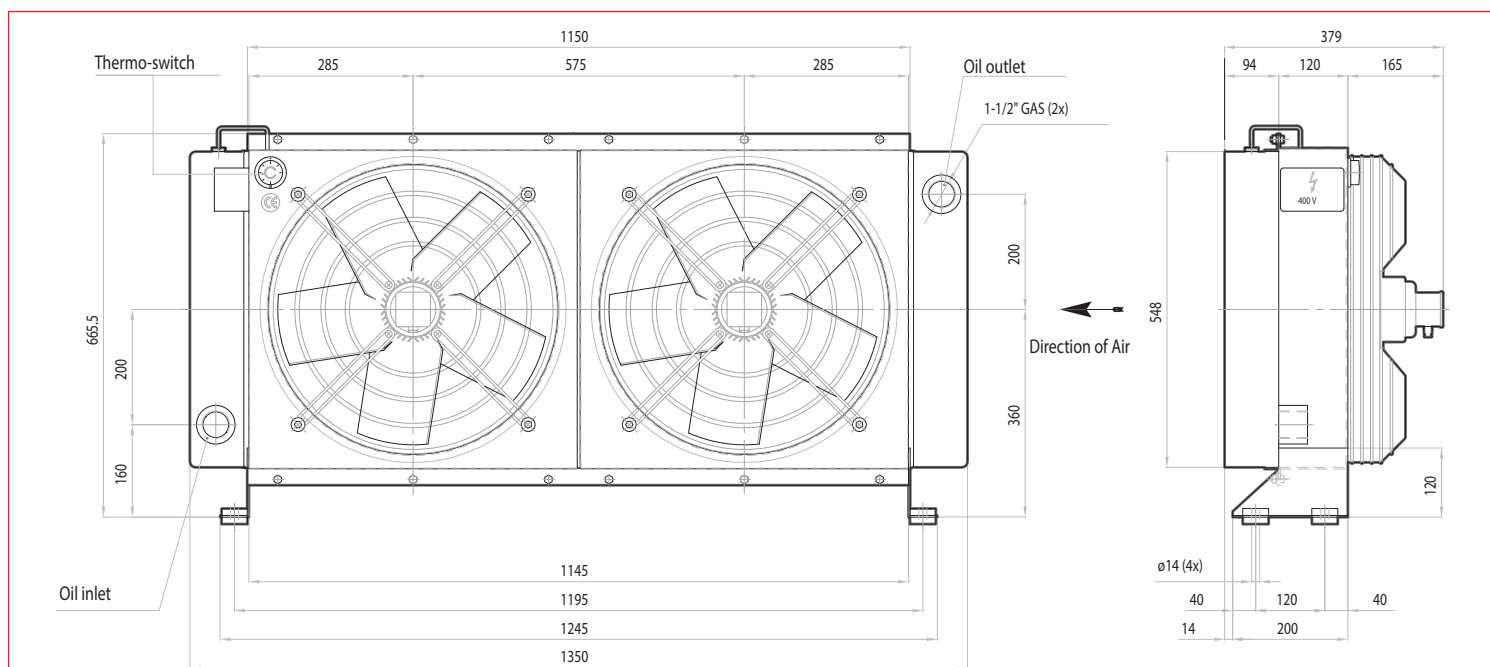
Thermo-switch	1TRMO-90
Shock isolating mounting (4 pcs)	3KIT4232
Electric junction box	1CSSDSAREL
Cooling element	1RO01339
Electric fan	1VNA4D500DV
Frame	3CNAP2/680EB.1



CORRECTION FACTOR

cSt	22	30	46	68	100	150	220
f	0,6	1	1,5	2,3	3,5	5	7

- Dimensions and technical characteristics are not binding



OIL FLOW	CAPACITY	VOLTAGE	FREQUENCY	POWER	CURRENT	AIR FLOW	PROTECTION	NOISE LEVEL	WEIGHT	Ø FAN
l/min	l	V	hz	W	A	m³/h	IP	dB(A)	kg	mm
100-300	28	230/400	50	2x 690	2x 2,34	2x 6.300	54	75	120	500
100-300	28	277/480	60	2x 1050	2x 2,72	2x 8.800	54	77	120	500

AP 2/730 EB

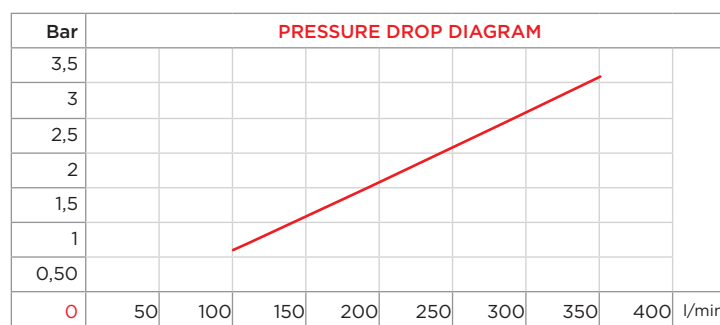
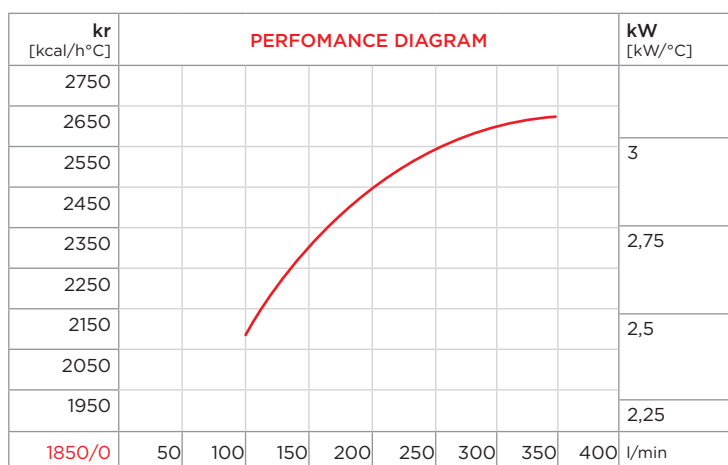


PURCHASE CODES

AP 2/730 EB three-phase **3RAP2/730EB**

SPARE PARTS

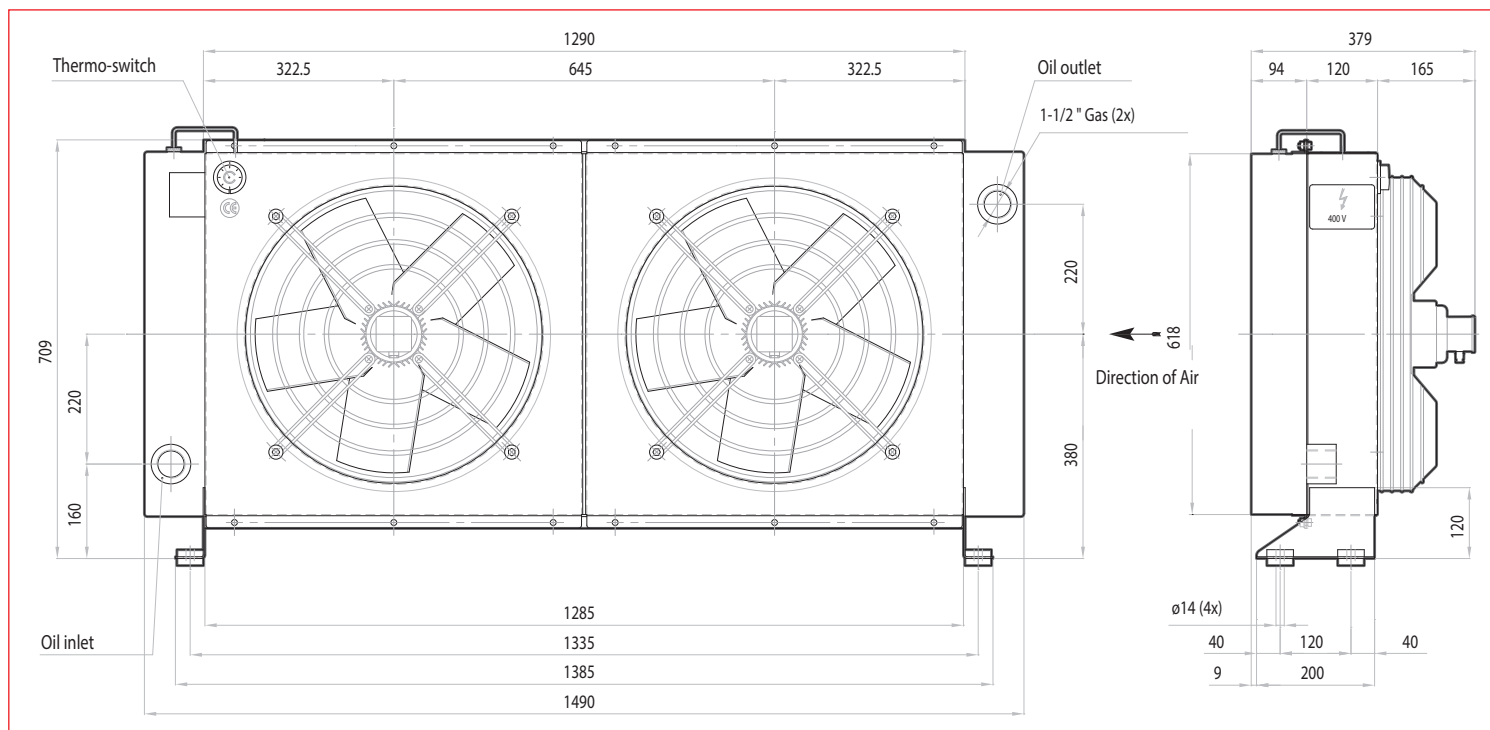
Thermo-switch	1TRMO-90
Shock isolating mounting (4 pcs)	3KIT4232
Electric junction box	1CSSDSAREL
Cooling element	1RO02357
Electric fan	1VNA4D500DV
Frame	3CNAP2/730EB.1



CORRECTION FACTOR

cSt	22	30	46	68	100	150	220
f	0,6	1	1,5	2,3	3,5	5	7

- Dimensions and technical characteristics are not binding



OIL FLOW	CAPACITY	VOLTAGE	FREQUENCY	POWER	CURRENT	AIR FLOW	PROTECTION	NOISE LEVEL	WEIGHT	Ø FAN
l/min	l	V	hz	W	A	m³/h	IP	dB(A)	kg	mm
100-350	30	230/400	50	2x 690	2x 2,34	2x 6.300	54	75	140	500
100-350	30	277/480	60	2x 1050	2x 2,72	2x 8.800	54	77	140	500

AP 2/830 EB

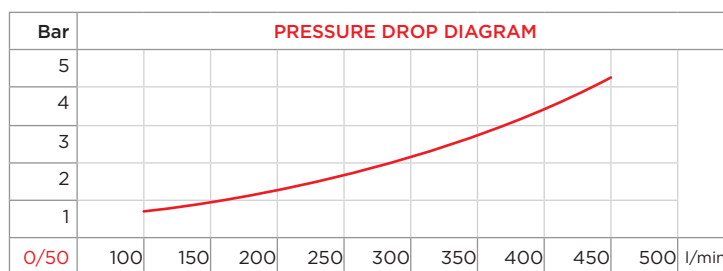
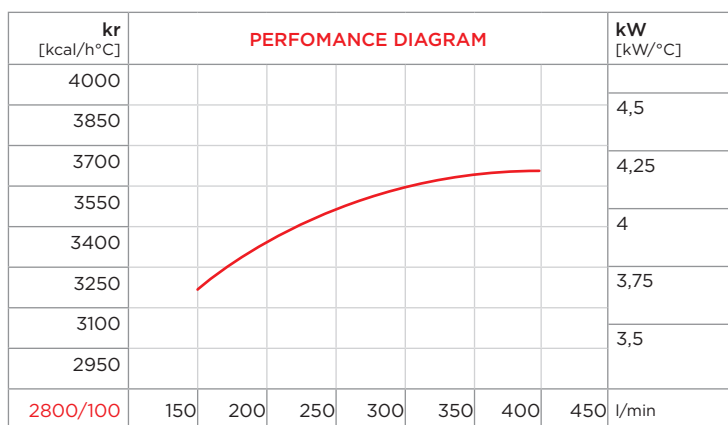


PURCHASE CODES

AP 2/830 EB three-phase **3REO91247**

SPARE PARTS

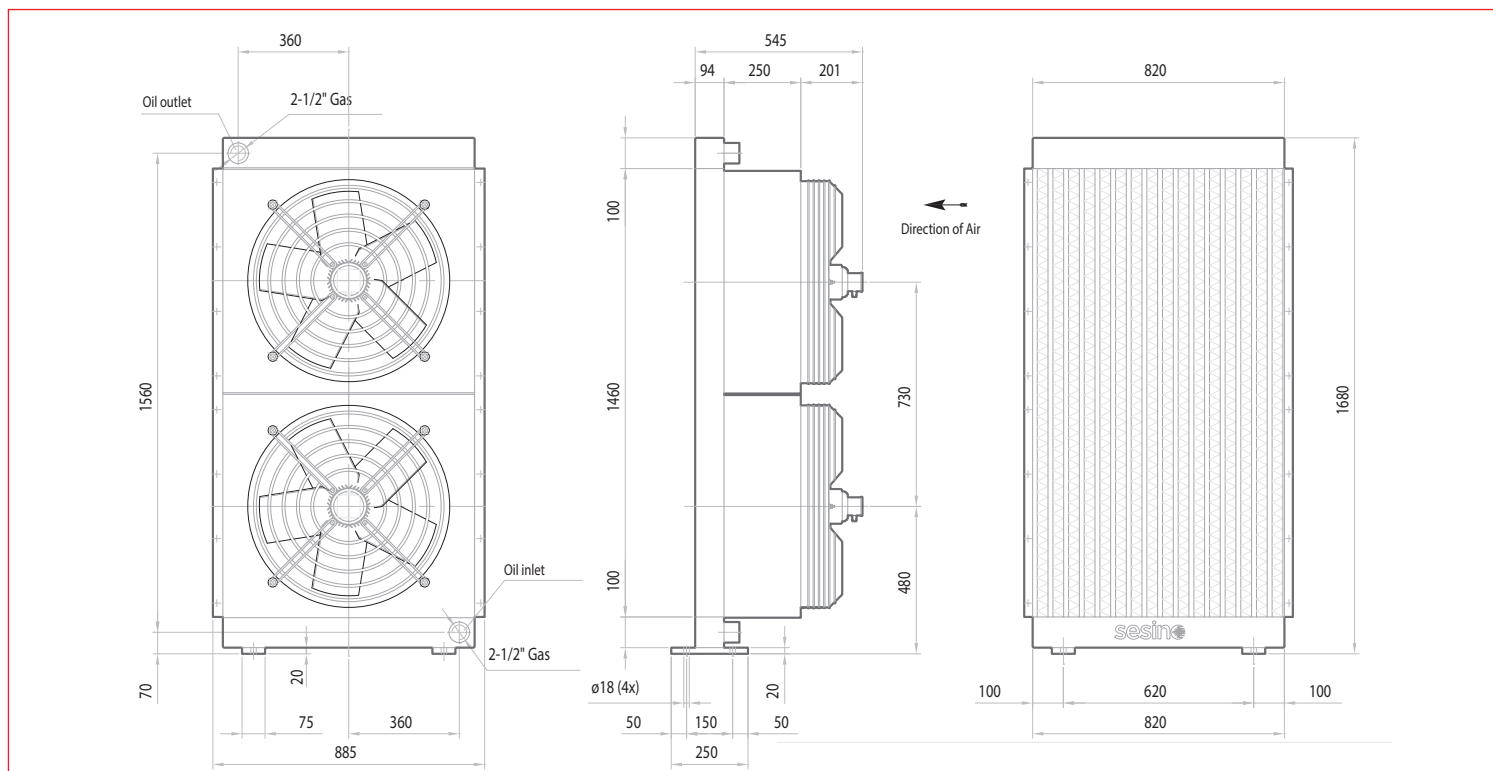
Frame	3CNEO91247.1
Cooling element	3RNEO91247
Electric fan for 3REO91247	1VNA4D560DV



CORRECTION FACTOR

cSt	22	30	46	68	100	150	220
f	0,6	1	1,5	2,3	3,5	5	7

- Dimensions and technical characteristics are not binding



OIL FLOW	CAPACITY	VOLTAGE	FREQUENCY	POWER	CURRENT	AIR FLOW	PROTECTION	NOISE LEVEL	WEIGHT	Ø FAN
l/min	l	V	hz	W	A	m³/h	IP	dB(A)	kg	mm
150-400	40	400	50	2x 810	2x 1,54	2x 9.500	54	73	180	560
150-400	40	480	60	2x 1300	2x 1,94	2x 11.500	54	75	180	560

AP 300/2 E

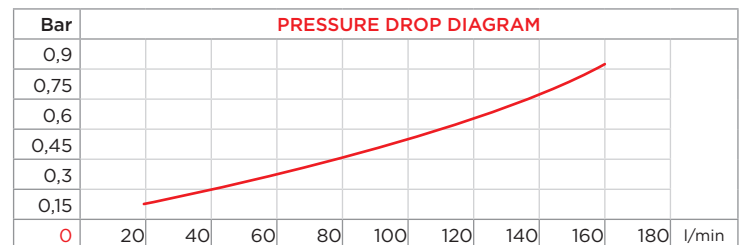
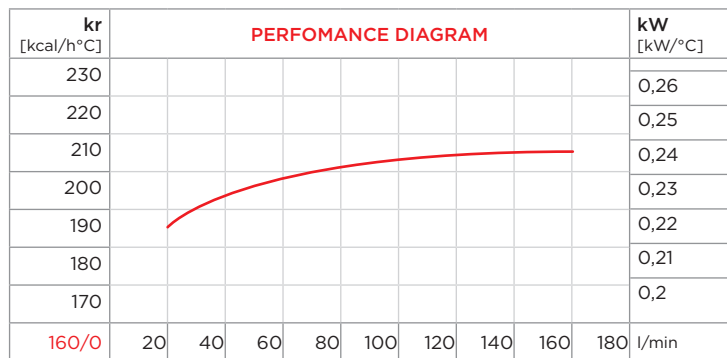
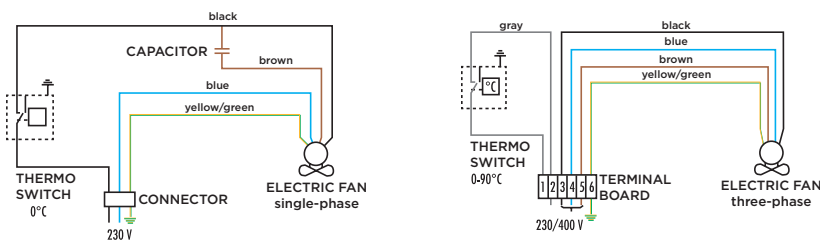


PURCHASE CODES

AP 300/2 E single-phase	3RAP302
AP 300/2 E three-phase	3RAP30238

SPARE PARTS

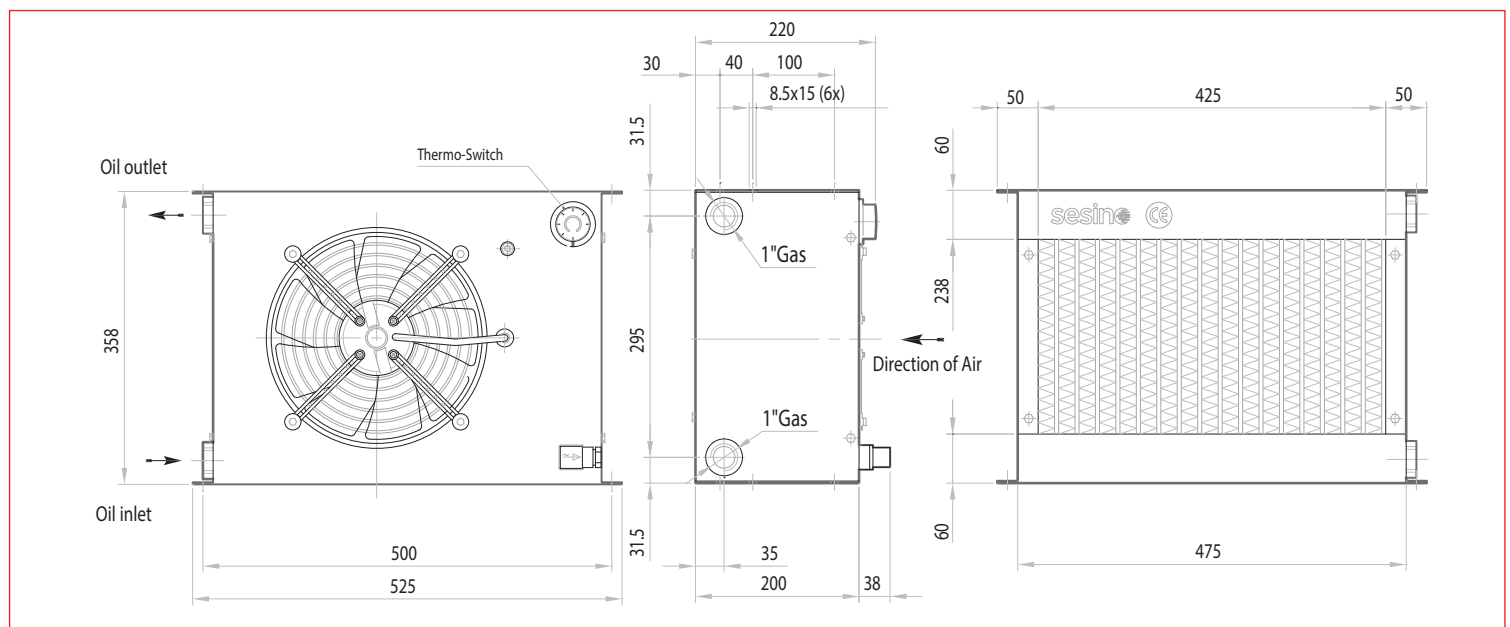
Cooling element	3RNAP302
Frame	3CNAP302
Housing	1302TLV
Adjustable thermo-switch	1TRM0-90
Electric fan for 3RAP302	1VNA2E250G
Electric fan for 3RAP30238	1VNA2D250.2
Electric junction box for 3RAP30038	1CSSDSAREL



CORRECTION FACTOR

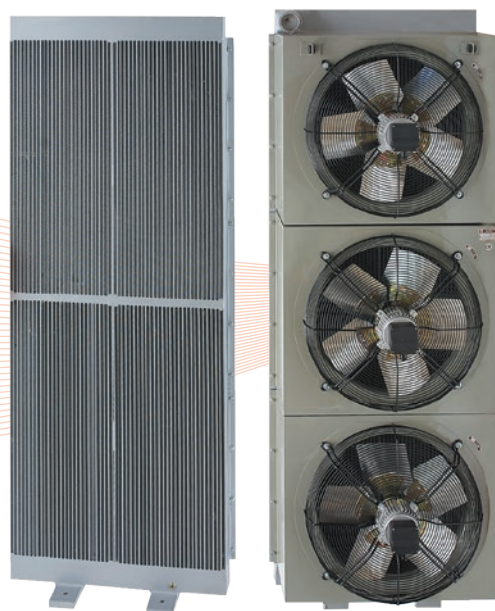
cSt	22	30	46	68	100	150	220
f	0,6	1	1,5	2,3	3,5	5	7

- Dimensions and technical characteristics are not binding



OIL FLOW	CAPACITY	VOLTAGE	FREQUENCY	POWER	CURRENT	AIR FLOW	PROTECTION	NOISE LEVEL	WEIGHT	Ø FAN
l/min	l	V	hz	W	A	m³/h	IP	dB(A)	kg	mm
20-160	3,6	230	50/60	115/150	0,51/0,66	1.300	54	75	17	250
20-160	3,6	400	50/60	0,20/0,23	100/140	1.300	54	73	12	250

AP 3/830 EB

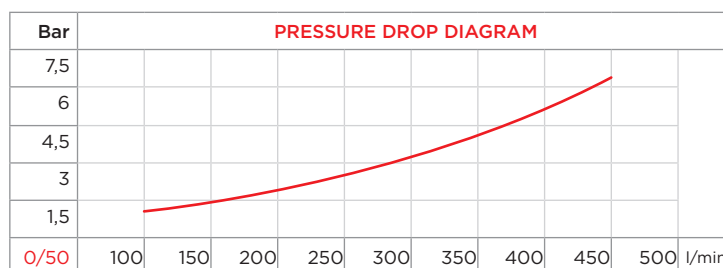
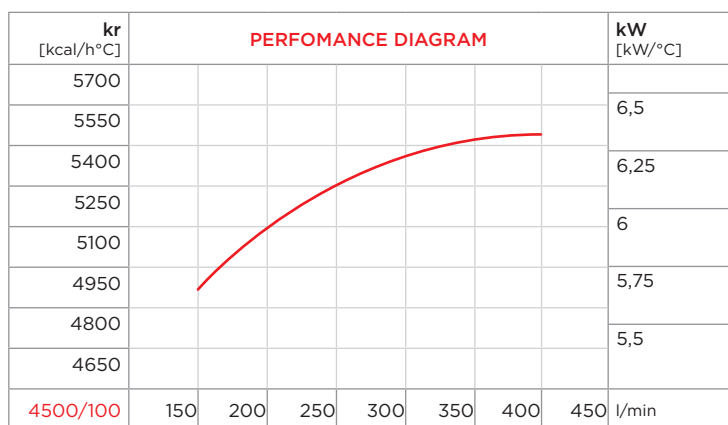


PURCHASE CODES

AP 3/830 EB three-phase **3RE091278**

SPARE PARTS

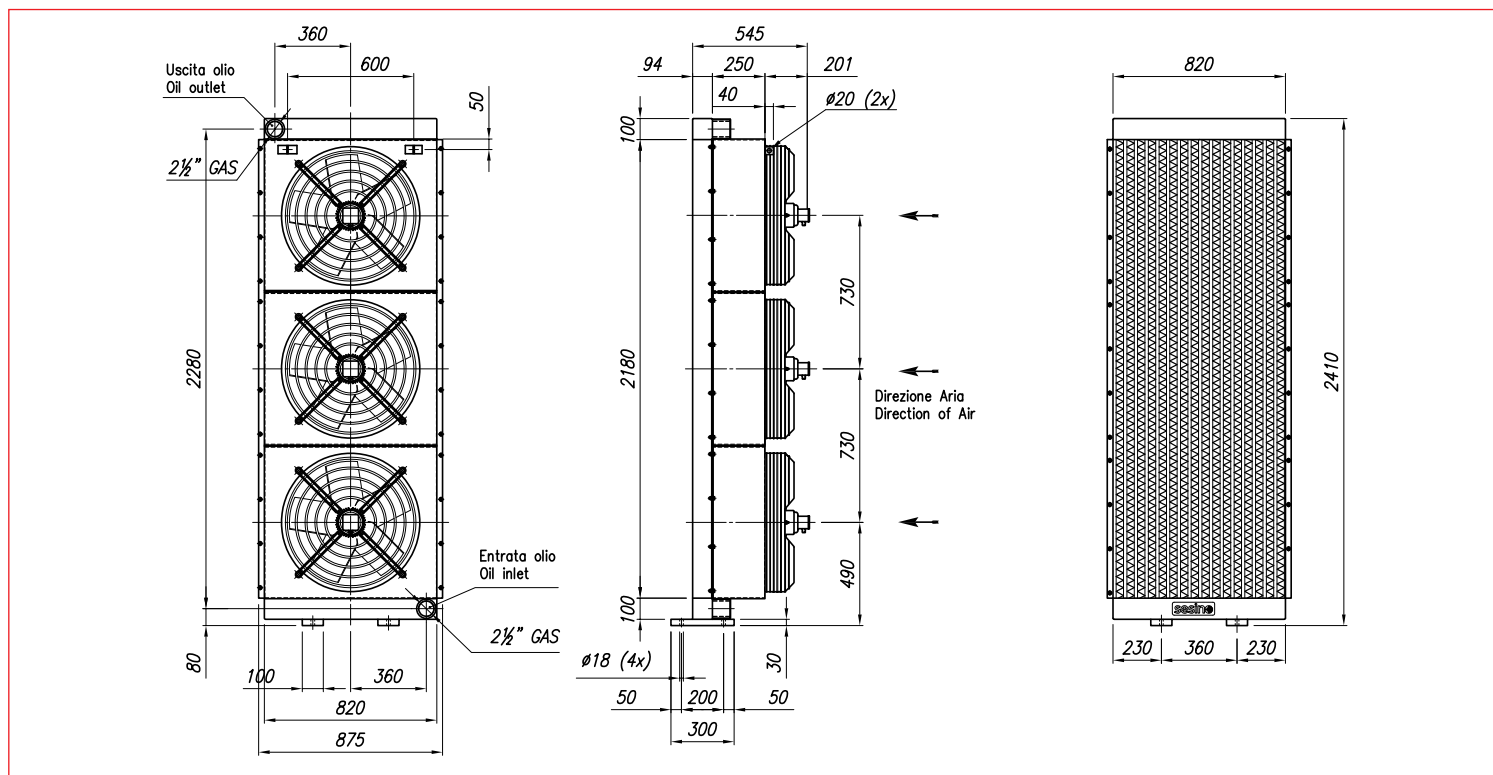
Frame	3CNE091247.1 3CNE091278.1
Cooling element	3RNE091278
Electric fan	1VNA4D560DV



CORRECTION FACTOR

cSt	22	30	46	68	100	150	220
f	0,6	1	1,5	2,3	3,5	5	7

- Dimensions and technical characteristics are not binding



OIL FLOW	CAPACITY	VOLTAGE	FREQUENCY	POWER	CURRENT	AIR FLOW	PROTECTION	NOISE LEVEL	WEIGHT	Ø FAN
l/min	l	V	hz	W	A	m³/h	IP	dB(A)	kg	mm
150-400	60	400	50	3x 810	3x 1,54	3x 9.500	54	78	260	560
150-400	60	480	60	3x 1300	3x 1,94	3x 11.500	54	78	260	560

AP 430 2/E

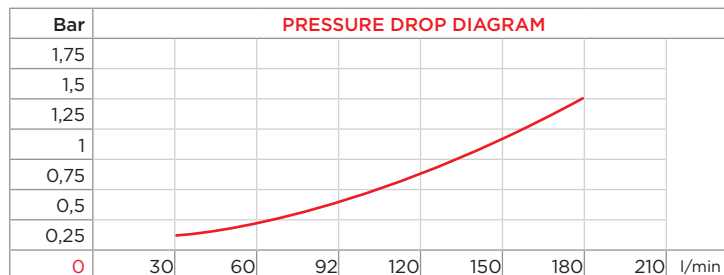
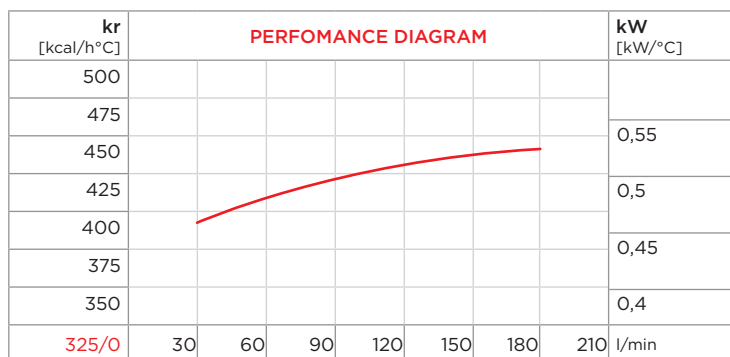
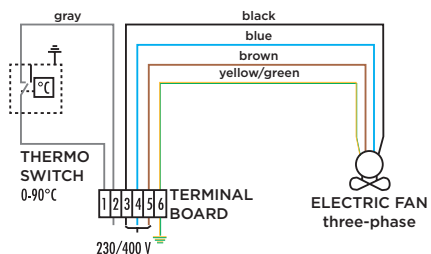


PURCHASE CODES

AP 430 2/E three-phase 3RAP432.1

SPARE PARTS

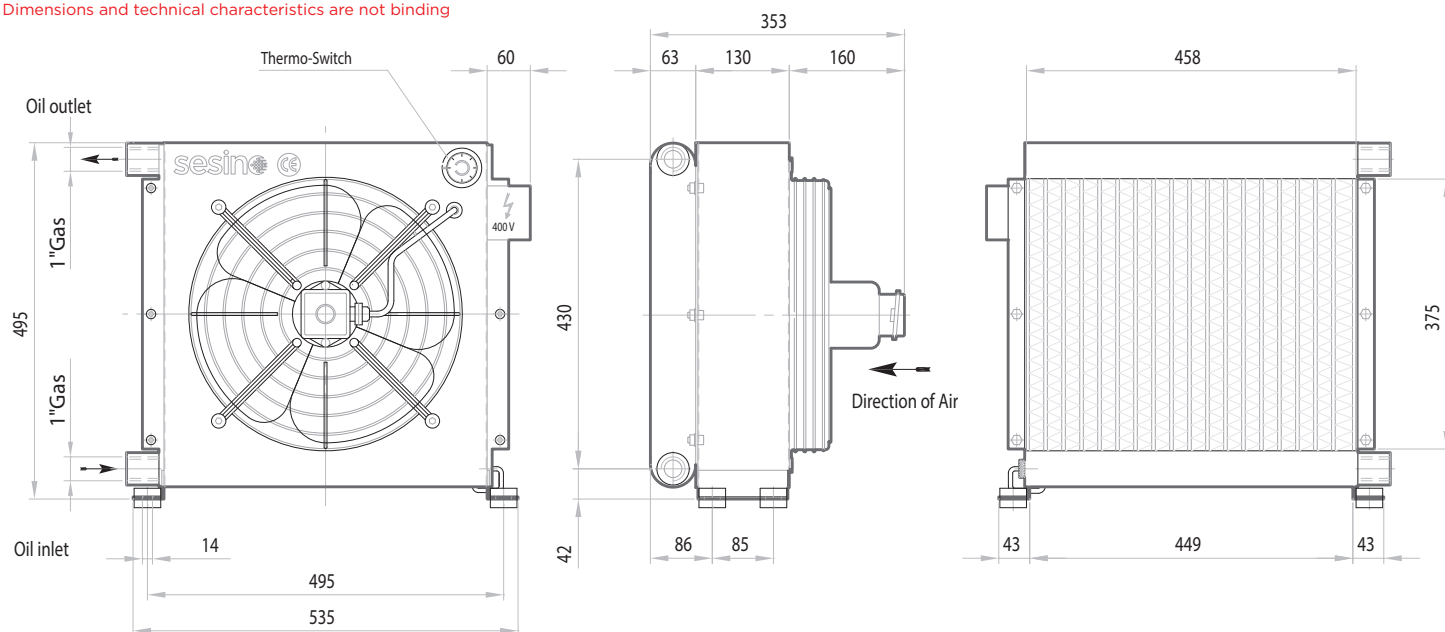
Cooling element	3RNAP432E
Frame	1432CNV
Adjustable thermo-switch	1TRM0-90
Shock isolating mounting (4 pcs)	3KIT4511
Electric Fan for 3RAP432.1	1VNELCO43238DV1
Electric junction box for 3RAP432.1	1CSSDSAREL



CORRECTION FACTOR

cSt	22	30	46	68	100	150	220
f	0,6	1	1,5	2,3	3,5	5	7

- Dimensions and technical characteristics are not binding



OIL FLOW	CAPACITY	VOLTAGE	FREQUENCY	POWER	CURRENT	AIR FLOW	PROTECTION	NOISE LEVEL	WEIGHT	Ø FAN
l/min	l	V	hz	W	A	m³/h	IP	dB(A)	kg	mm
30-180	5,5	Δ 230 Y 400	50	110/180	0,57/0,33	2.700	55	72	24	400
30-180	5,5	Δ 265 Y 460	60	145/260	0,68/0,39	3.500	55	72	24	400